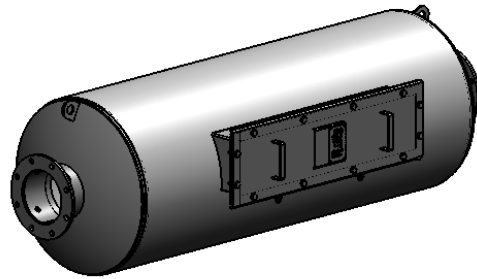
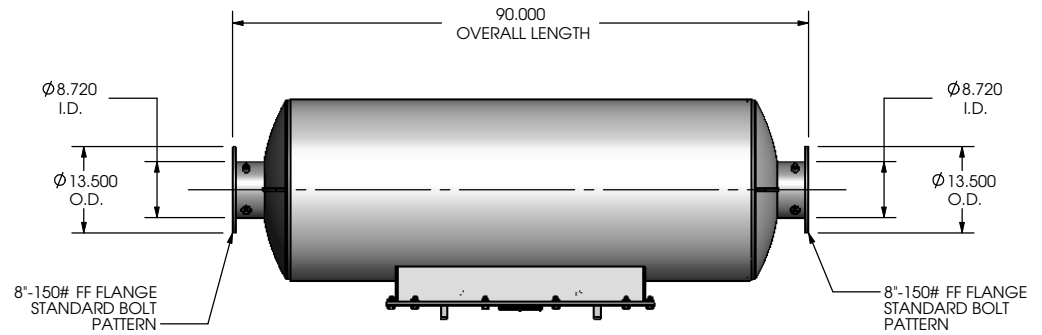


The GRx is the EmeraChem version of a GT style housing. It uses the standard GT size element with the superior EmeraChem catalyst sealing mechanism. We have a 2 & 4 panel design. The GRx uses a flat adhesive backed gasket applied to the catalyst. The GRx is offered in CS and SS.

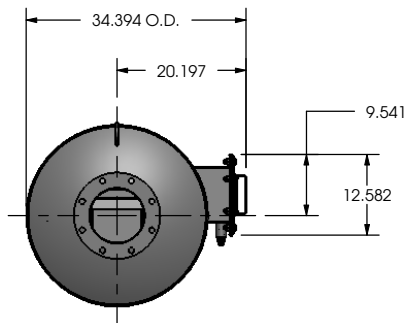
<u>PAGE</u>	<u>PART NUMBER</u>	<u>ELEMENTS</u>	<u>FLANGE DIAMETER</u>	<u>OVERALL LENGTH</u>	<u>DIAMETER</u>	<u>WEIGHT</u>
2	GRX-2-08-C-XX	2	8"	90"	34.394"	538 lbs.
3	GRX-2-10-C-XX	2	10"	102"	34.394"	585 lbs.
4	GRX-4-10-C-XX	4	10"	116"	41.332"	928 lbs.
5	GRX-4-12-C-XX	4	12"	116"	41.332"	940 lbs.



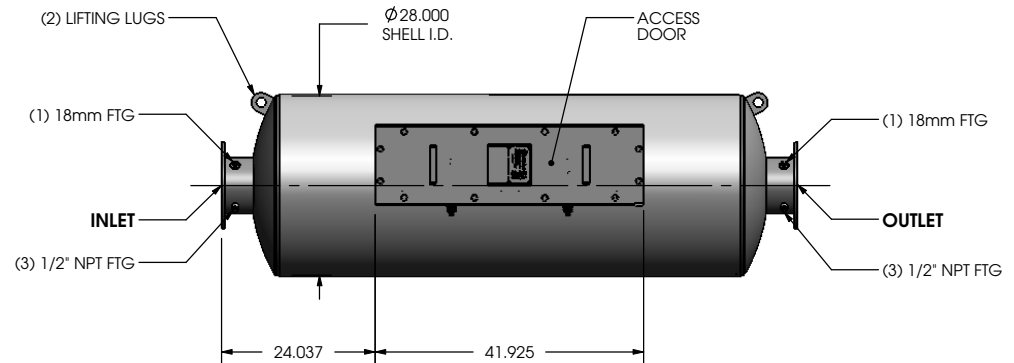
DIMETRIC VIEW



TOP VIEW



FRONT VIEW




RIGHT VIEW

NOTES:

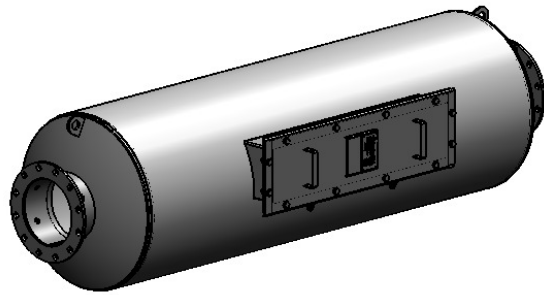
- WEIGHT IS APPROXIMATE WITH (2) ELEMENTS
- THIS EQUIPMENT SHALL BE SUPPORTED SUCH THAT NO MOMENTS OR FORCES ARE ON THE INLET AND OUTLET FLANGES

DRAWN	JU	DATE	10/19/2011
ENGINEER	-	DATE	-
APPROVED	-	DATE	-

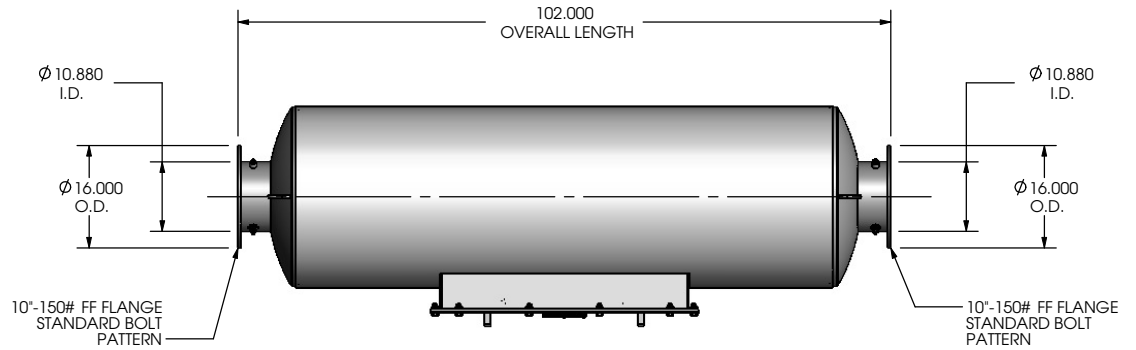
PROPRIETARY AND CONFIDENTIAL
 THIS DRAWING CONTAINS PROPRIETARY INFORMATION WHICH IS TO BE HELD CONFIDENTIAL AND MAY NOT BE REPRODUCED OR DISCLOSED TO OTHERS WITHOUT THE PRIOR WRITTEN CONSENT OF EMERACHEM OR A DULY AUTHORIZED REPRESENTATIVE THEREOF.



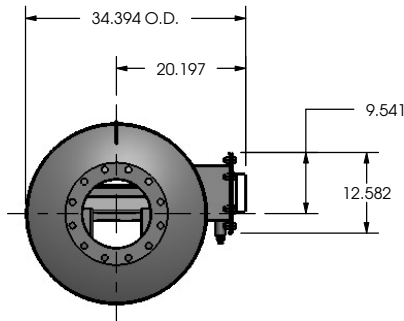
DRAWING GRX-2-08-C-XX SD		REV 0
GRX-2-08-C-XX SALES DRAWING		
WEIGHT: 538 lb APPROX.	SCALE 1:30	SHEET 1 OF 1



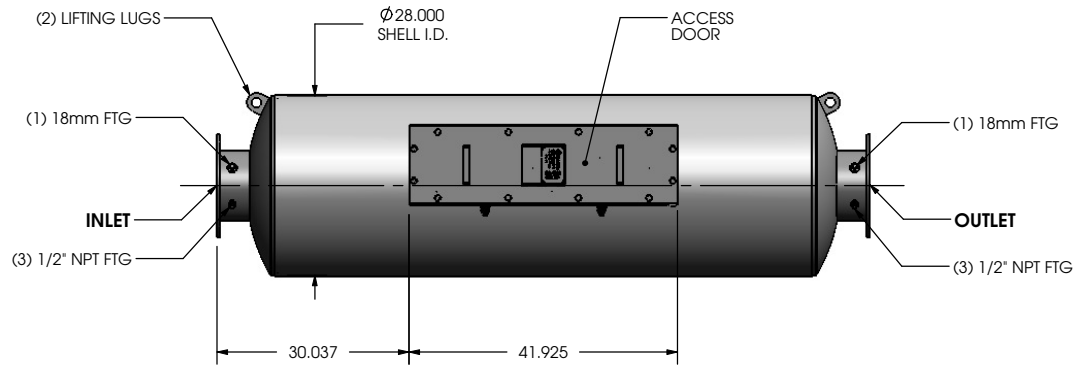
DIMETRIC VIEW



TOP VIEW



FRONT VIEW



RIGHT VIEW

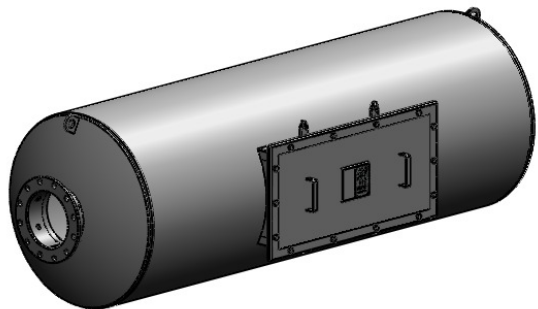
NOTES:

- WEIGHT IS APPROXIMATE WITH (2) ELEMENTS
- THIS EQUIPMENT SHALL BE SUPPORTED SUCH THAT NO MOMENTS OR FORCES ARE ON THE INLET AND OUTLET FLANGES

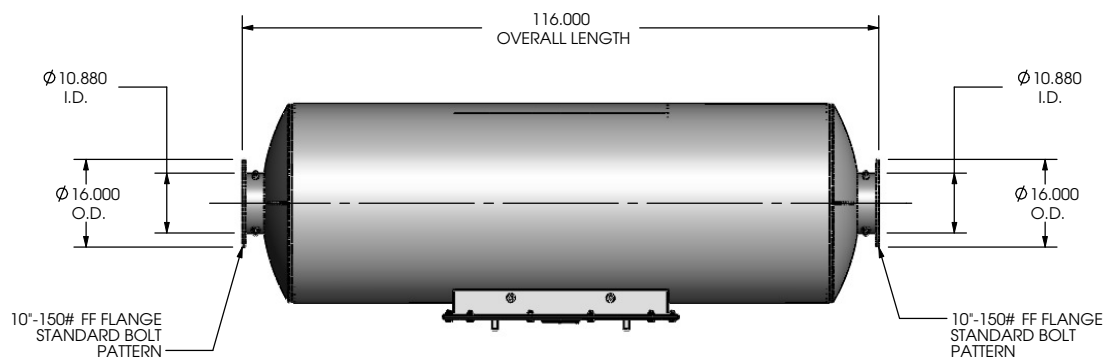
DRAWN	JU	DATE	10/19/2011
ENGINEER	-	DATE	-
APPROVED	-	DATE	-

PROPRIETARY AND CONFIDENTIAL
 THIS DRAWING CONTAINS PROPRIETARY INFORMATION WHICH IS TO BE HELD CONFIDENTIAL AND MAY NOT BE REPRODUCED OR DISCLOSED TO OTHERS WITHOUT THE PRIOR WRITTEN CONSENT OF EMERACHEM OR A DULY AUTHORIZED REPRESENTATIVE THEREOF.

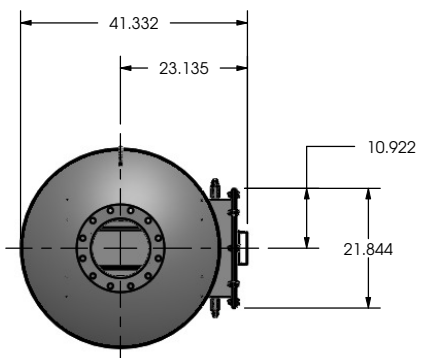
DRAWING	GRX-2-10-C-XX SD	REV	0
GRX-2-10-C-XX SALES DRAWING			
WEIGHT: 585 lb APPROX.	SCALE 1:30	SHEET 1 OF 1	



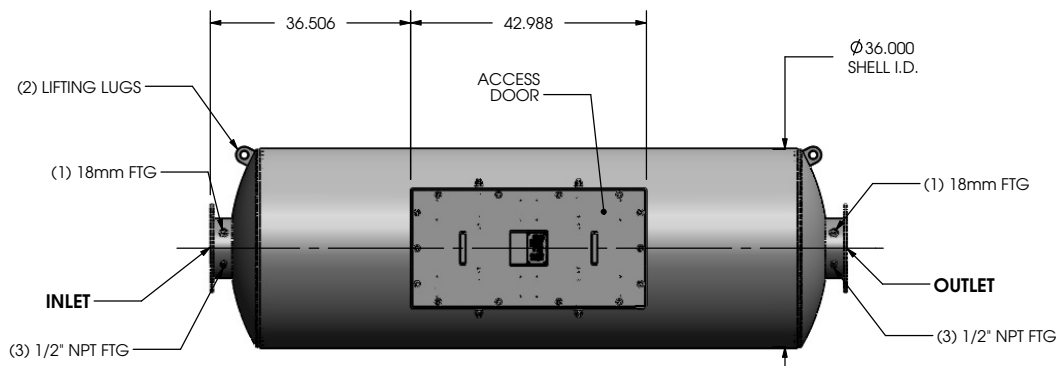
DIMETRIC VIEW



TOP VIEW



FRONT VIEW



RIGHT VIEW


NOTES:

- WEIGHT IS APPROXIMATE WITH (4) ELEMENTS
- THIS EQUIPMENT SHALL BE SUPPORTED SUCH THAT NO MOMENTS OR FORCES ARE ON THE INLET AND OUTLET FLANGES

DRAWN	JU	DATE	10/19/2011
ENGINEER	-	DATE	-
APPROVED	-	DATE	-

PROPRIETARY AND CONFIDENTIAL

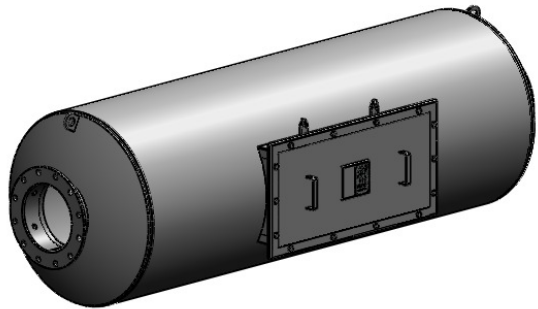
THIS DRAWING CONTAINS PROPRIETARY INFORMATION WHICH IS TO BE HELD CONFIDENTIAL AND MAY NOT BE REPRODUCED OR DISCLOSED TO OTHERS WITHOUT THE PRIOR WRITTEN CONSENT OF EMERACHEM OR A DULY AUTHORIZED REPRESENTATIVE THEREOF.



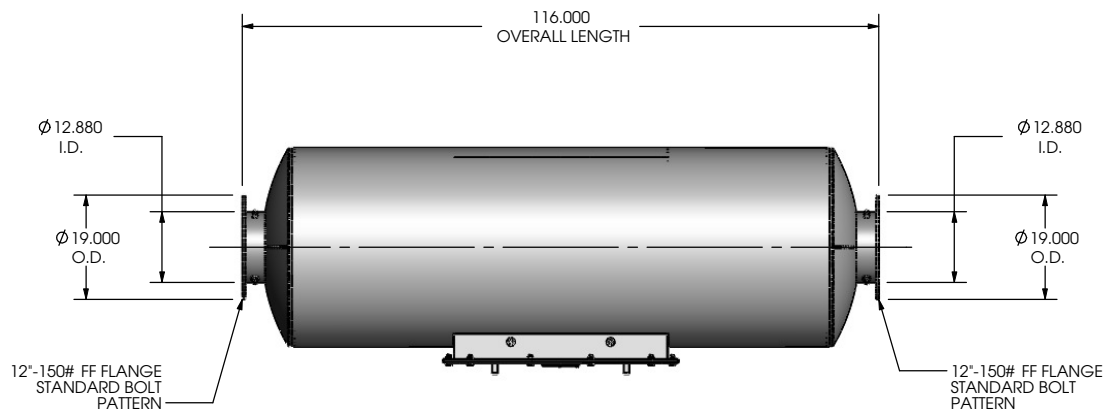
DRAWING GRX-4-10-C-XX SD REV **0**

GRX-4-10-C-XX
SALES DRAWING

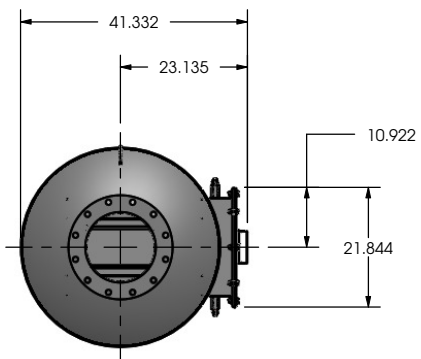
WEIGHT: 928 lb APPROX. SCALE 1:35 SHEET 1 OF 1



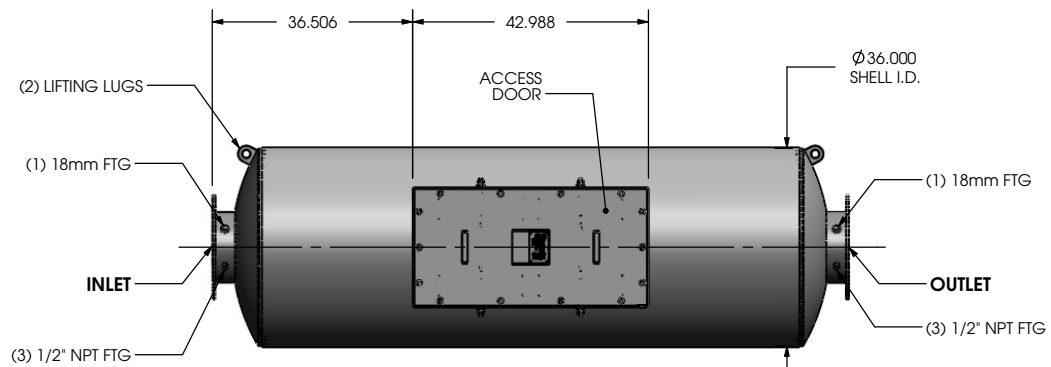
DIMETRIC VIEW



TOP VIEW



FRONT VIEW



RIGHT VIEW


NOTES:

- WEIGHT IS APPROXIMATE WITH (4) ELEMENTS
- THIS EQUIPMENT SHALL BE SUPPORTED SUCH THAT NO MOMENTS OR FORCES ARE ON THE INLET AND OUTLET FLANGES

DRAWN	JU	DATE	10/19/2011
ENGINEER	-	DATE	-
APPROVED	-	DATE	-

PROPRIETARY AND CONFIDENTIAL

THIS DRAWING CONTAINS PROPRIETARY INFORMATION WHICH IS TO BE HELD CONFIDENTIAL AND MAY NOT BE REPRODUCED OR DISCLOSED TO OTHERS WITHOUT THE PRIOR WRITTEN CONSENT OF EMERACHEM OR A DULY AUTHORIZED REPRESENTATIVE THEREOF.



DRAWING GRX-4-12-C-XX SD REV **0**

GRX-4-12-C-XX
SALES DRAWING

WEIGHT: 940 lb APPROX. SCALE 1:35 SHEET 1 OF 1